

Ref.: 685721



230 V AC ROTARY VANE PUMPS FOR DIESEL, POLARIS SERIES, 70 L/MIN

Self priming pumps with self-adjustable vanes. Pump body made of cast-iron with rustproof treatment, rotor of sintered steel and vanes of acetyl resin. The pump includes a by-pass valve and a built in filter with easy access for cleaning. The pump can be mounted vertically or horizontally and has 1,8 m cable with plug. Inlet/outlet connection: 1" BSP (F) or flange coupling. Maximum suction lift: 2,5 m. Electric AC motor with IP-55 protection, allows continuous operation duty. On / off switch and fuse.

Technical data

Documentation

More information

| | |
|-----------------------------------|-------------------------|
| Compatible fluids | Diesel |
| Maximum free flow delivery | 70 l/min (18,5 gal/min) |
| Delivery | 70 l/min (18,5 gal/min) |
| Maximum outlet pressure | 1,7 bar (24,65 psi) |
| Supply type | 230 V AC |
| Current | 3 A |
| Power | 500 w |

Technical data

Documentation

More information

Instruction manuals

868810 Instruction book: 230 V AC Polaris series electric pumps (PDF)

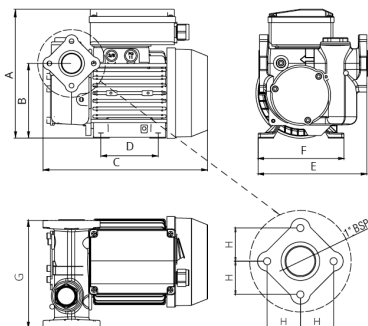
[Download](#)

Technical data

Documentation

More information

| mm (in) | 685721 |
|---------|----------------|
| A | 180 (7 3/32") |
| B | 104 (4 3/32") |
| C | 230 (9 1/16") |
| D | 80 (3 5/32") |
| E | 152 (5 63/64") |
| F | 120 (4 23/32") |
| G | 150 (5 29/32") |
| H | 31 (5 29/32") |



| Code | Delivery | Supply Type | Power |
|-------------|-------------------------|--------------------|--------------|
| 685721 | 70 l/min (18,5 gal/min) | 230 V AC | 500 w |
| 685722 | 95 l/min (25,1 gal/min) | 230 V AC | 750 w |
| 685720 | 50 l/min (13,2 gal/min) | 230 V AC | 370 w |