

Ref.: 685720



230 V AC ROTARY VANE PUMPS FOR DIESEL, POLARIS SERIES, 50 L/MIN

Self priming pumps with self-adjustable vanes. Pump body made of cast-iron with rustproof treatment, rotor of sintered steel and vanes of acetyl resin. The pump includes a by-pass valve and a built in filter with easy access for cleaning. The pump can be mounted vertically or horizontally and has 1,8 m cable with plug. Inlet/outlet connection: 1" BSP (F) or flange coupling. Maximum suction lift: 2,5 m. Electric AC motor with IP-55 protection, allows continuous operation duty. On / off switch and fuse.

Technical data

Documentation

More information

Compatible fluids	Diesel
Maximum free flow delivery	50 l/min (13,2 gal/min)
Delivery	50 l/min (13,2 gal/min)
Maximum outlet pressure	1,7 bar (24,65 psi)
Supply type	230 V AC
Current	2.2 A
Power	370 w

Technical data

Documentation

More information

Instruction manuals

868810 Instruction book: 230 V AC Polaris series electric pumps (PDF)

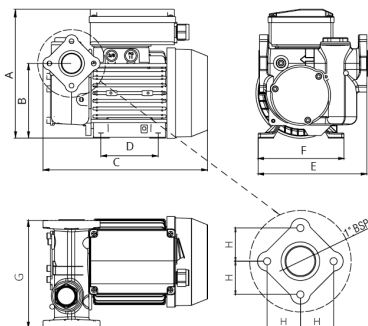
[Download](#)

Technical data

Documentation

More information

mm (in)	685720
A	180 (7 3/32")
B	104 (4 3/32")
C	230 (9 1/16")
D	80 (3 5/32")
E	152 (5 63/64")
F	120 (4 23/32")
G	150 (5 29/32")
H	31 (5 29/32")



Code	Delivery	Supply Type	Power
685720	50 l/min (13,2 gal/min)	230 V AC	370 w
685722	95 l/min (25,1 gal/min)	230 V AC	750 w
685721	70 l/min (18,5 gal/min)	230 V AC	500 w