

Ref.: 684450



24 V DC ROTARY VANE PUMPS FOR DIESEL, POLUX SERIES, 65 L/MIN

Self priming pumps with self-adjustable vanes. Pump body made of cast-iron with rustproof treatment, rotor of sintered steel and vanes of acetyl resin. The pump includes a by-pass valve and a built in filter with easy access for cleaning. The pump can be mounted vertically or horizontally, has a carrying handle and 2 m cable with crocodile clamps. Inlet / outlet connection: 1" BSP (F) or flange coupling. Maximum suction lift: 2,5 m. Electric DC motor with IP-55 protection, allows intermittent operation duty with maximum cycles of 30 minutes. On/off switch and fuse.

Technical data

Documentation

More information

Compatible fluids	Diesel
Maximum free flow delivery	65 l/min (17,2 gal/min)
Delivery	65 l/min (17,2 gal/min)
Maximum outlet pressure	0,8 bar (11,6 psi)
Supply type	24 V DC
Current	25 A
Power	240 w

Technical data

Documentation

More information

Instruction manuals

868814 Instruction book: 24 V DC rotary vane pumps for diesel, Polux series, 65 l/min (PDF)

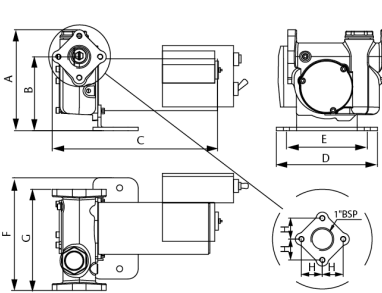
[Download](#)

Technical data

Documentation

More information

mm (in)	684450
A	142 (5 19/32")
B	102 (4 1/64")
C	255 (10 3/64")
D	150 (4 21/64")
E	124 (5 29/32")
F	167 (1 13/32")
G	150 (5 29/32")
H	31 (5 29/32")



Code	Delivery	Supply Type	Power
684450	65 l/min (17,2 gal/min)	24 V DC	240 w
684531	40 l/min (10,6 gal/min)	24 V DC	200 w
684530	40 l/min (10,6 gal/min)	12 V DC	170 w
684451	60 l/min (16 gal/min)	12 V DC	220 w