

Ref.: 507762



INDIVIDUALLY ENCLOSED HOSE REEL, RM-12CL SERIES, 10 M, 1/2", WINDSCREEN WASHER / ADBLUE-DEF / DETERGENT

Corrosion resistant aluminium enclosure form a very rigid and stable structure, with light weight and attractive design. Fatigue resistant steel spring for years of durable performance and even load when pulling and recoiling the hose. Full port shaft and swivel for no restrictions. Spool mounted on two permanent lubricated and sealed ball bearings to reduce torque load on spring for smooth retraction and longer life. Large effective radial latching area for easier operation. Positionable mounting brackets to accommodate any method of mounting. Two large lateral service windows facilitate common maintenance operations. Hose reels with hose include 0,8 m inlet hose.system in polymer to reduce noise. Large service panel allows hose reel maintenance without dismounting it. Wide hose outlet aids rolling, reduces piling up and premature wear of the hose. Fatigue resistant steel spring for years of durable performance and even load when pulling and recoiling the hose. Spool mounted on two permanent lubricated and sealed ball bearings to reduce torque load on spring for smooth retraction and longer life.. Hose reels with hose include 0,8 m inlet hose. Model with 10 m 1/2" hose for WINDSCREEN WASHER / ADBLUE-DEF / DETERGENT. Instruction books: 850820 and 836823.

Technical data

Documentation

More information

Compatible fluids	Coolant, Windscreen washer, AdBlue/DEF
Hose in diameter	1/2"
Hose length	10 m (32,81 ft)
Fluid Inlet	1/2" BSP (M)
Fluid outlet	1/2" BSP (M)
Working Pressure	20 bar (290,08 psi)
Installation options	Floor, Wall, Ceiling, Tank
Bare reel part number	507976
Weight	19 kg (42 lb)

Technical data

Documentation

More information

Instruction manuals

836823 Instruction book: Template for hose reel installation (PDF)

[Download](#)

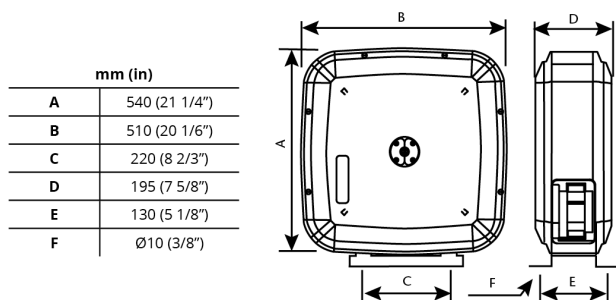
850820 Instruction book: Individually enclosed hose reel, RM-12CL series (PDF)

[Download](#)

Catalogs

Spare parts

Spare part document: RM12CL02 507762 (PDF)

Technical data**Documentation****More information****Models**

Code	Compatible Fluids	Hose In Diameter	Hose Length	Working Pressure
507762	Coolant, Windscreen washer, AdBlue/DEF	1/2"	10 m (32,81 ft)	20 bar (290,08 psi)
507782	Coolant, Windscreen washer, AdBlue/DEF	1/2"	15 m (49,21 ft)	20 bar (290,08 psi)
507503	Waste oil	5/8"	6 m (19,69 ft)	-0,9 bar (-13,05 psi)
507421	Water	3/8"	15 m (49,21 ft)	170 bar (2470 psi)
507321	Grease, Oil	3/8"	15 m (49,21 ft)	280 bar (4060 psi)
507301	Grease, Oil	3/8"	10 m (32,81 ft)	280 bar (4060 psi)
507300	Grease, Oil	1/4"	10 m (32,81 ft)	350 bar (5075 psi)
507222	Oil	1/2"	15 m (49,21 ft)	160 bar (2320 psi)
507202	Oil	1/2"	10 m (32,81 ft)	160 bar (2320 psi)
507122	Air, Water, Coolant	1/2"	15 m (49,21 ft)	15 bar (220 psi)
507121	Air, Water, Coolant	3/8"	15 m (49,21 ft)	15 bar (220 psi)
507101	Air, Water, Coolant	3/8"	10 m (32,81 ft)	15 bar (220 psi)
507311	Grease, Oil	3/8"	18 m (59,06 ft)	280 bar (4060 psi)
507212	Oil	1/2"	18 m (59,06 ft)	160 bar (2320 psi)