

Ref.: 535810



## PNEUMATIC PISTON OIL PUMP, PUMPMASTER 35, PM35 - 8:1, 205 L (55 GAL) DRUMS

PM35 series air operated piston pumps. Double acting air operated high pressure pump for oil distribution applications. Pumps include height adjustable 2" BSP (M) bung adaptor for drum and tank bung mounting. Built in port for optional pressure relief valve (PN 609 008). Maximum air consumption with 72 bar (5 psi) air inlet pressure and 80 cpm. Maximum noise level measured at 1 m (3.3') from the pump, 7 bar (100 psi) air pressure and free delivery. Instruction book: 853825.

### Technical data

### Documentation

### More information

<b>Fluids</b>	Oil
<b>Compatible fluids</b>	Oil, Transmission fluid, Corrosion protection fluids
<b>Pump mounting</b>	205 l (55 gal) drum bung mounted
<b>Pressure ratio</b>	8:1
<b>Air pressure operating range</b>	2-12 bar (29-174 psi)
<b>Air consumption</b>	350 NL/min (12,4 scfm)
<b>Maximum outlet pressure</b>	96 bar (1392 psi)
<b>Air motor effective diameter</b>	80 mm (3,15")
<b>Air motor stroke</b>	80 mm (3,2")
<b>Delivery per cycle</b>	7 l (1,9 gal)
<b>Cycles per minute (aprox.)</b>	80 cycles
<b>Delivery</b>	7 l/min (1,9 gal/min)
<b>Maximum free flow delivery</b>	17 l/min (4,5 gal/min)
<b>Air inlet</b>	3/8" BSP (F)
<b>Fluid inlet</b>	1" BSP (F)
<b>Fluid inlet type</b>	Ball check
<b>Fluid outlet</b>	1/2" BSP (F)
<b>Wetted materials</b>	Cast iron, Hard chromed steel, Steel, Polyurethane, NBR
<b>Pump tube material</b>	Carbon steel
<b>Sound level</b>	80 dB
<b>Tube height</b>	925 mm (36,4")
<b>Total height</b>	1212 mm (47,7")
<b>Weight</b>	8,3 kg (18 lb)

### Instruction manuals

853825 Instruction book: Pneumatic piston oil pump, Pumpmaster 35, PM35 - 8:1 (PDF)

[Download](#)

### Catalogs

Product catalogue: GENERAL EXPORT, 2024 EN (PDF)

[Download](#)

### Spare parts

Spare part document: PM3503 535810 (PDF)

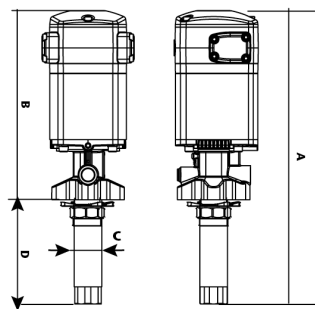
[Download](#)

### Technical data

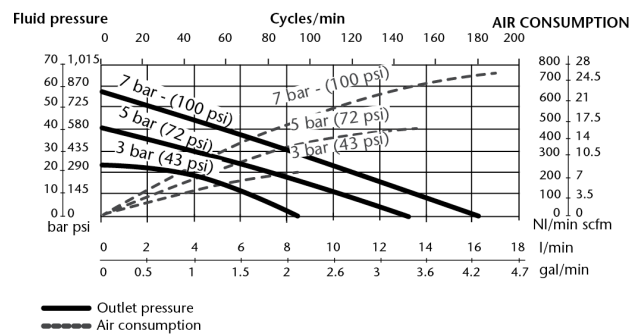
### Documentation

### More information

mm (in)	535 810
A	1.212 (47 3/4")
B	287 (11 1/4")
C	42 (1 2/3")
D	925 (36 1/2")



SAE 10, 21 °C (70 °F) CAPACITY CURVE



### Models

Code	Fluids	Pump Mounting	Fluid Outlet	Tube Height	Total Height
535810	Oil	205 l (55 gal) drum bung mounted	1/2" BSP (F)	925 mm (36,4")	1212 mm (47,7")
535830	Oil	Universal stub pump with bung adaptor	1/2" BSP (F)	200 mm (7,9")	487 mm (19")
535881	Oil	Universal stub pump	1/2" NPT (F)	200 mm (7,9")	487 mm (19")
535880	Oil	Universal stub pump	1/2" BSP (F)	200 mm (7,9")	487 mm (19")
535831	Oil	Universal stub pump with bung adaptor	1/2" NPT (F)	200 mm (7,9")	487 mm (19")
535811	Oil	205 l (55 gal) drum bung mounted	1/2" NPT (F)	925 mm (36,4")	1212 mm (47,7")