

Ref.: 561024



## 24 V DC ELECTRIC MOTOR PUMPS FOR OIL, FLOWSTAR SERIES, 6 L/MIN

External gear pumps with 12 and 24 V DC motors with IP55 protection, on/off switch, fuse and 2 m cable with crocodile clamps. Pump can work in intermittent duty cycles of 30 minutes and has built in by-pass valve. Inlet connection: 3/4" BSP (F). Outlet connection: 1/2" BSP (F). Maximum suction lift: 2,5 m.

### Technical data

### Documentation

### More information

<b>Compatible fluids</b>	Oil
<b>Maximum free flow delivery</b>	6 l/min (1,6 gal/min)
<b>Delivery</b>	6 l/min (1,6 gal/min)
<b>Maximum outlet pressure</b>	12,5 bar (181,25 psi)
<b>Supply type</b>	24 V DC
<b>Current</b>	19.5 A
<b>Power</b>	200 w

### Technical data

### Documentation

### More information

## Instruction manuals

856803 Instruction book: 12 V DC and 24 V DC electric motor pumps for gear oils (PDF)

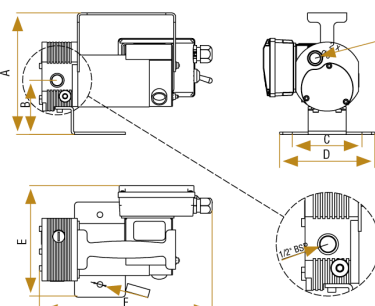
[Download](#)

### Technical data

### Documentation

### More information

mm (In)	561012 / 561024
A	192 (7 916")
B	86 (3 2564")
C	110 (4 2164")
D	150 (5 2932")
E	176 (6 5964")
F	272 (10 4564")



## Models

Code	Delivery	Supply Type	Power
561024	6 l/min (1,6 gal/min)	24 V DC	200 w
561012	5 l/min (1,3 gal/min)	12 V DC	200 w