

Ref.: 505232



## HEAVY DUTY HOSE REEL, RM-34 SERIES, 20 M, 1/2", AIR / WATER / COOLANT / DIESEL / LUBRICANT OIL

Very tough construction able to stand regular use and abuse in Intensive Duty applications. Fatigue resistant steel spring for years of durable performance and even load when pulling and recoiling the hose. Full port shaft and swivel for no restrictions. Spool mounted on two permanent lubricated and sealed ball bearings to reduce torque load on spring for smooth retraction and longer life. Large effective radial latching area for easier operation. Hose guide arm can be placed in different positions to accommodate any method of mounting. Narrow footprint allows accommodating more reels on the same surface. Hose reels with hose include 0,8 m inlet hose. Model with 20 m 1/2" hose for AIR / WATER / COOLANT / DIESEL / LUBRICANT OIL. Instruction book: 850823.

### Technical data

### Documentation

### More information

<b>Compatible fluids</b>	Air, Water, Coolant, Oil
<b>Hose in diameter</b>	1/2"
<b>Hose length</b>	20 m (65,62 ft)
<b>Fluid Inlet</b>	1/2" BSP (M)
<b>Fluid outlet</b>	1/2" BSP (M)
<b>Working Pressure</b>	160 bar (2320 psi)
<b>Installation options</b>	Floor, Wall, Ceiling, Tank
<b>Bare reel part number</b>	505932
<b>Weight</b>	36 kg (79,4 lb)

### Technical data

### Documentation

### More information

## Instruction manuals

850823 Instruction book: Heavy duty hose reel, RM-34 series (PDF)

[Download](#)

## Catalogs

Product catalogue: REELS, 2023 EN (PDF)

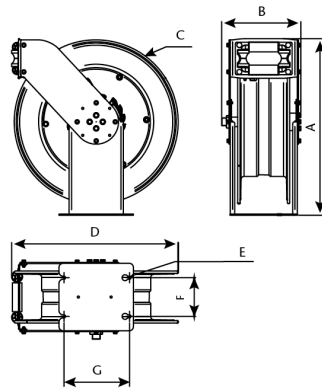
[Download](#)

## Spare parts

Spare part document: RM3401 505224 (PDF)

[Download](#)

mm (in)	
A	594 (23 3/8")
B	248 (9 7/8")
C	Ø551 (21 3/4")
D	560 (22 1/16")
E	Ø10 (3/8")
F	130 (5 1/8")
G	220 (8 2/3")



## Models

Code	Compatible Fluids	Hose In Diameter	Hose Length	Working Pressure
505232	Air, Water, Coolant, Oil	1/2"	20 m (65,62 ft)	160 bar (2320 psi)
505524	AdBlue/DEF, Windscreen washer, Detergent	3/4"	15 m (49,21 ft)	20 bar (290,08 psi)
505332	Grease, Oil	1/2"	20 m (65,62 ft)	275 bar (4000 psi)
505224	Air, Water, Coolant, Oil	3/4"	15 m (49,21 ft)	105 bar (1520 psi)