

Ref.: 504450



## HEAVY DUTY HOSE REEL, RM-12L SERIES, 15 M, 3/8", HIGH PRESSURE HOTWATER (UP TO 100 °C)

Very tough construction able to stand regular use and abuse in Intensive Duty applications. Fatigue resistant steel spring for years of durable performance and even load when pulling and recoiling the hose. Full port shaft and swivel for no restrictions. Spool mounted on two permanent lubricated and sealed ball bearings to reduce torque load on spring for smooth retraction and longer life. Large effective radial latching area for easier operation. Hose guide arm can be placed in different positions to accommodate any method of mounting. Narrow footprint allows accommodating more reels on the same surface. Hose reels with hose include 0,8 m inlet hose. Model with 15 m 3/8" hose for HIGH PRESSURE HOT WATER (UP TO 100 °C). Instruction books: 850836 and 836823.

### Technical data

### Documentation

### More information

<b>Compatible fluids</b>	Water
<b>Hose in diameter</b>	3/8"
<b>Hose length</b>	15 m (49,21 ft)
<b>Fluid Inlet</b>	3/8" BSP (M)
<b>Fluid outlet</b>	1/4" BSP (M)
<b>Working Pressure</b>	200 bar (2900 psi)
<b>Installation options</b>	Floor, Wall, Ceiling, Tank
<b>Bare reel part number</b>	504459
<b>Weight</b>	26 kg (57,3 lb)

### Technical data

### Documentation

### More information

## Instruction manuals

836823 Instruction book: Template for hose reel installation (PDF)

[Download](#)

850836 Instruction book: Heavy duty hose reel, RM-12L series (PDF)

[Download](#)

## Catalogs

Product catalogue: REELS, 2023 EN (PDF)

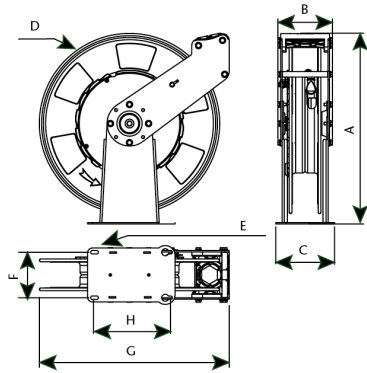
[Download](#)

## Spare parts

Spare part document: RM12L04 504450 (PDF)

[Download](#)

mm (in)	
A	545 (21 7/16")
B	156 (6 1/8")
C	168 (6 5/8")
D	Ø515 (20 1/4")
E	Ø10 (3/8")
F	130 (5 1/8")
G	542 (21 1/2")
H	220 (8 2/3")



## Models

Code	Compatible Fluids	Hose In Diameter	Hose Length	Working Pressure
504450	Water	3/8"	15 m (49,21 ft)	200 bar (2900 psi)
504351	Grease, Oil	3/8"	15 m (49,21 ft)	280 bar (4060 psi)
504350	Grease, Oil	1/4"	15 m (49,21 ft)	350 bar (5075 psi)
504250	Oil	1/2"	15 m (49,21 ft)	160 bar (2320 psi)
504150	Air, Water, Coolant	1/2"	15 m (49,21 ft)	15 bar (220 psi)