

Ref.: 505524



HEAVY DUTY HOSE REEL, RM-34 SERIES, 15 M, 3/4", ADBLUE-DEF / WINDSCREEN WASHER / DETERGENT

Very tough construction able to stand regular use and abuse in Intensive Duty applications. Fatigue resistant steel spring for years of durable performance and even load when pulling and recoiling the hose. Full port shaft and swivel for no restrictions. Spool mounted on two permanent lubricated and sealed ball bearings to reduce torque load on spring for smooth retraction and longer life. Large effective radial latching area for easier operation. Hose guide arm can be placed in different positions to accommodate any method of mounting. Narrow footprint allows accommodating more reels on the same surface. Hose reels with hose include 0,8 m inlet hose. Model with 15 m 3/4" hose for ADBLUE-DEF / WINDSCREEN WASHER / DETERGENT. Instruction book: 850823.

Technical data

Documentation

More information

Compatible fluids	AdBlue/DEF, Windscreen washer, Detergent
Hose in diameter	3/4"
Hose length	15 m (49,21 ft)
Fluid Inlet	3/4" BSP (M)
Fluid outlet	3/4" BSP (M)
Working Pressure	20 bar (290,08 psi)
Installation options	Floor, Wall, Ceiling, Tank
Bare reel part number	505529
Weight	39 kg (86 lb)

Technical data

Documentation

More information

Instruction manuals

850823 Instruction book: Heavy duty hose reel, RM-34 series (PDF)

[Download](#)

Catalogs

Product catalogue: REELS, 2023 EN (PDF)

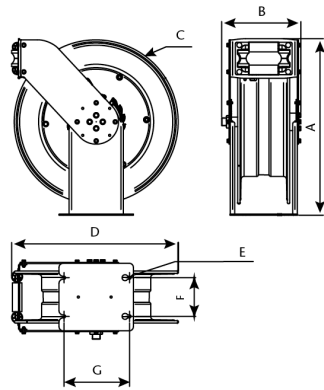
[Download](#)

Spare parts

Spare part document: RM3402 505524 (PDF)

[Download](#)

mm (in)	
A	594 (23 3/8")
B	248 (9 7/8")
C	Ø551 (21 3/4")
D	560 (22 1/16")
E	Ø10 (3/8")
F	130 (5 1/8")
G	220 (8 2/3")



Models

Code	Compatible Fluids	Hose In Diameter	Hose Length	Working Pressure
505524	AdBlue/DEF, Windscreen washer, Detergent	3/4"	15 m (49,21 ft)	20 bar (290,08 psi)
505332	Grease, Oil	1/2"	20 m (65,62 ft)	275 bar (4000 psi)
505232	Air, Water, Coolant, Oil	1/2"	20 m (65,62 ft)	160 bar (2320 psi)
505224	Air, Water, Coolant, Oil	3/4"	15 m (49,21 ft)	105 bar (1520 psi)